



### USEFUL TIPS

Before you begin, review the step-by-step assembly guide. For safety and accuracy, it is helpful to assemble the product with 2 people.

Carefully un-box the product. To prevent scratching, avoid using sharp blades when removing plastic wrapping. Lay a blanket or soft cloth on your work area to prevent damage during assembly.

Do not to over-tighten bolts. Always check for proper alignment before fully tightening bolts. Be sure to securely fasten hardware before moving onto the next step.

### TOOLS

- » Allen Wrench Set
- » Drill & Drill Bits
- » Phillips-head Bit Driver
- » Safety Gloves & Glasses

### SAFETY FIRST

Always wear task appropriate protective gear such as OSHA-approved glasses, gloves, work boots, etc. Make sure you have all supplemental materials, including hardware and parts prior to beginning. Always follow instructions. Remember: Improper use of tools or hardware may result in damage to the product or personal injury.

### QUESTIONS? CONTACT US.

954-732-6141

AJ@SEAWARDSYSTEMS.COM

SEAWARDSYSTEMS.COM

**HARDWARE DETAIL** Mounting hardware is not included. Nylon Washers, S/S Washers and Anticorrosive Lubricant are included and to be used as directed below.

**Mounting Hardware: Wood/Composite Surface**

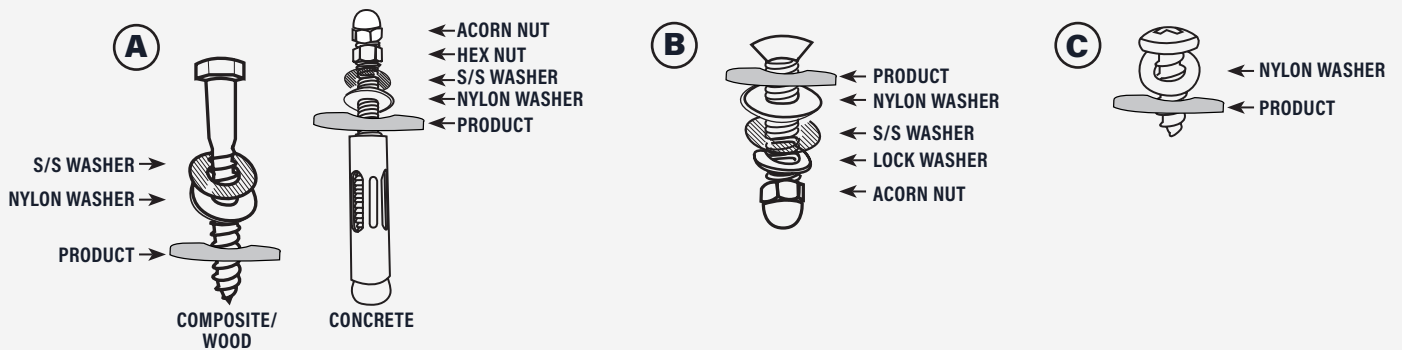
- » Lag Screws (4)
- » S/S Washers (4)

**Mounting Hardware: Concrete Surface**

- » Anchors (4)                      » Hex Nut (4)
- » S/S Washers (4)                » Acorn Nut (4)

**LUBRICANT USE**

For all bolts, apply a small amount of Anticorrosive Lubricant to the end and the threads.



To help prevent damage to powder coating all hardware **MUST** be installed following the order in our assembly guide. **VERY IMPORTANT: A nylon washer MUST always be placed between the powder coat and metal hardware.**

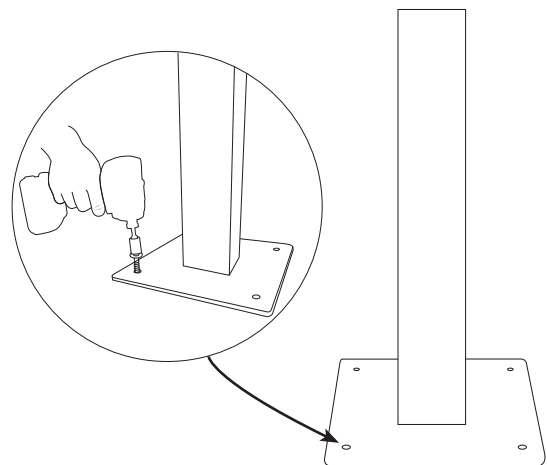
## 1 Mounting the Frame

**HARDWARE**

- » Hardware Detail A

**STEPS**

- » Position one side of the frame on the mounting surface. If necessary, make sure the mounting surface is reinforced.
- » Drill pilot holes for the lag bolts or anchors.
- » Follow hardware detail A.
- » Insert bolts through the mounting foot and into the mounting surface. Hand-tighten to allow for adjustments. Then fully tighten to firmly secure to the mounting surface.



**IMPORTANT:** Before opening the bag, pay attention to the directional labels for mounting the frame.



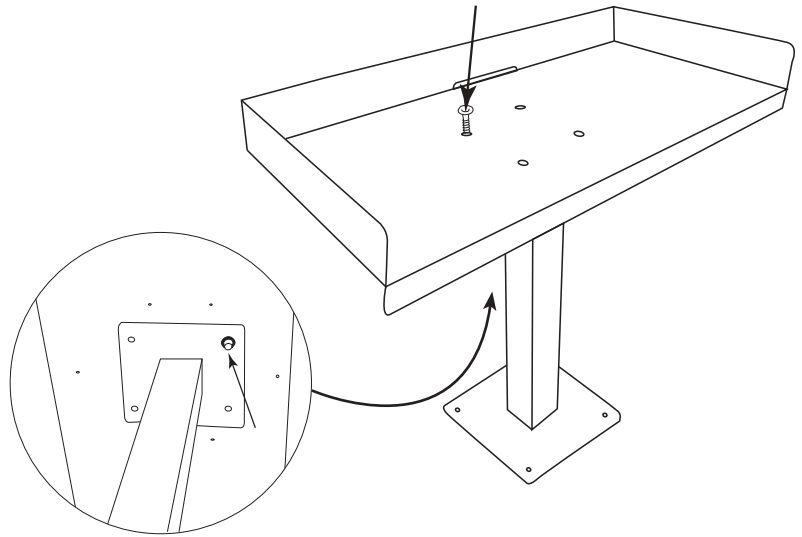
### 2 Attaching the Tabletop

#### HARDWARE

- » Tabletop Hardware Bag
- » Hardware Detail B

#### STEPS

- » With another person, align middle support to the tabletop.
- » Follow hardware detail B.
- » Insert bolts through the tabletop, into the middle support, then hand-tighten from underneath.



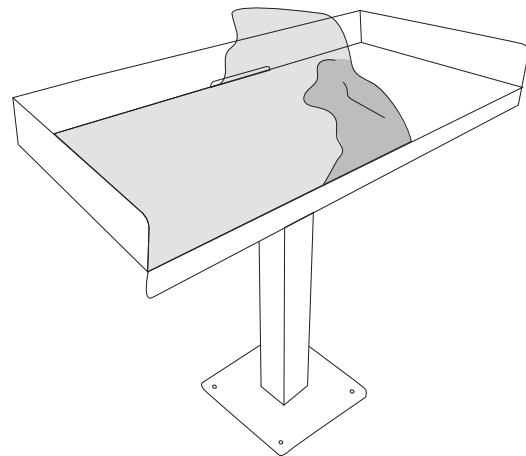
### 3 Attaching the StarBoard

#### HARDWARE

- » Tabletop StarBoard Bag
- » Hardware Detail C

#### STEPS

- » Position the curved edges of the StarBoard to the back of the station. Align it to the front lip of the tabletop.
- » Follow hardware detail C.
- » Holding the surface in place, insert screws from underneath.
- » Fully tighten.
- » Remove protective covering.



### FINAL CHECK

Check that all bolts and screws are fully tightened. Verify that the tabletop and StarBoard surfaces are properly aligned and secure.

