



USEFUL TIPS

Before you begin, review the step-by-step assembly guide.

Carefully un-box the product. To prevent scratching, avoid using sharp blades when removing plastic wrapping. Lay a blanket or soft cloth on your work area to prevent damage during assembly.

Do not to over-tighten bolts. Always check for proper alignment before fully tightening bolts. Be sure to securely fasten hardware before moving onto the next step.

SAFETY FIRST

Always wear task appropriate protective gear such as OSHA-approved glasses, gloves, work boots, etc. Make sure you have all supplemental materials, including hardware and parts prior to beginning. Always follow instructions.

Remember: Improper use of tools or hardware may result in damage to the product or personal injury.

QUESTIONS? CONTACT US.



Orders@SeaWardSystems.com

**HARDWARE
DETAIL**

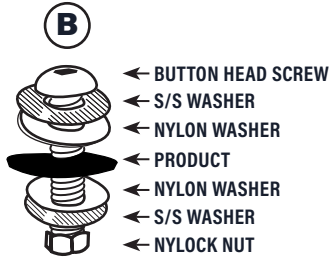
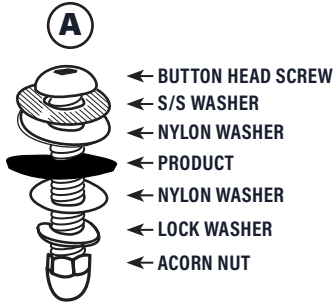
To help prevent damage to powder coating all hardware **MUST** be installed following the order in our assembly guide.

VERY IMPORTANT: A nylon washer **MUST** always be placed between the powder coat and metal hardware.



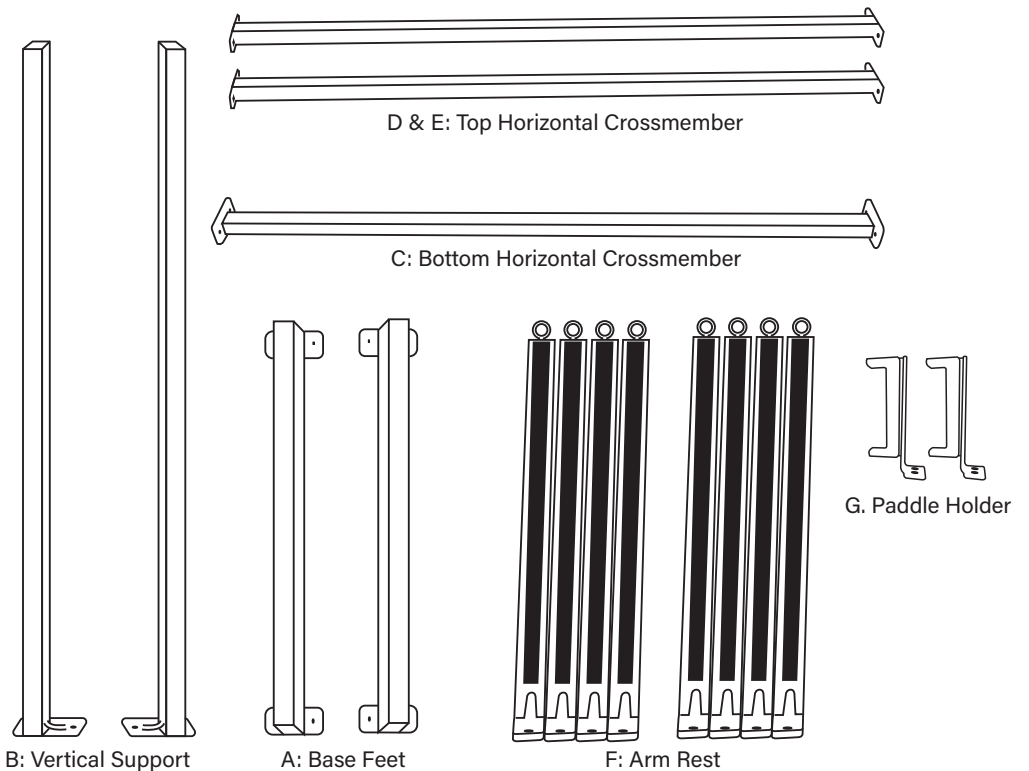
**LUBRICANT
USE**

For all bolts, apply a small amount of Anticorrosive Lubricant to the end and the threads.



PARTS & TOOLS

- » Wrench Set
- » Socket Set
- » Allen Key Set
- » Safety Glasses



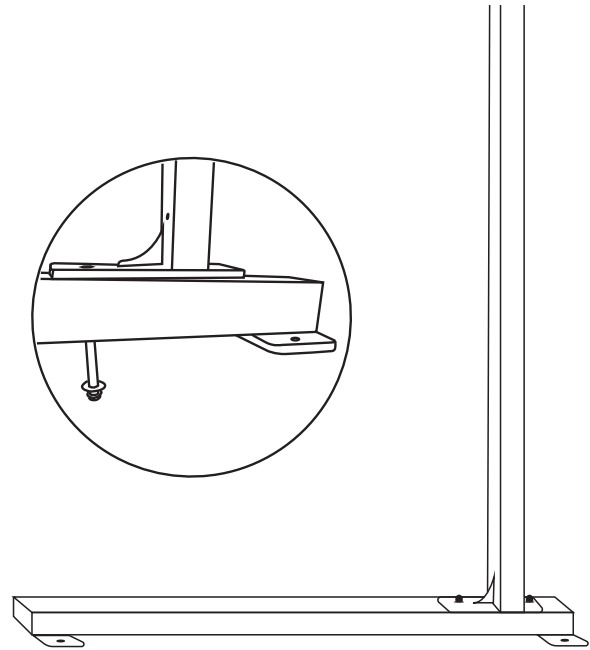
1 Attaching the Vertical Supports

PARTS & HARDWARE

- » Parts A & B
- » Vertical Support Side 1 & 2
Hardware Bag
- » Hardware Detail A

STEPS

- » Place Parts A and B on their sides, positioning the base of Part B toward the front of Part A.
- » Using the hardware shown in Detail A, align the holes and insert the bolts.
- » Hand-tighten the bolts to allow for adjustment, then fully tighten.
- » Repeat these steps for the opposite side.



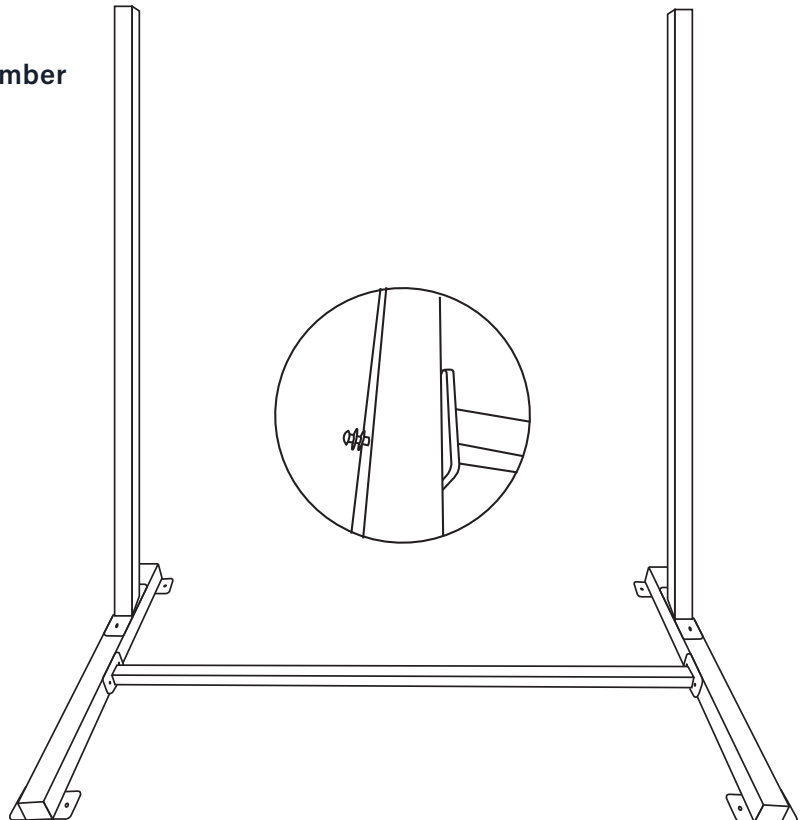
2 Attaching the Bottom Horizontal Crossmember

PARTS & HARDWARE

- » Part C
- » Bottom Horizontal Crossmember
Hardware Bag
- » Hardware Detail B

STEPS

- » Position Part C between the vertical supports.
- » Using the hardware shown in Detail B, align the holes and insert the bolts on both sides.
- » Hand-tighten the bolts to allow for adjustment, then fully tighten.



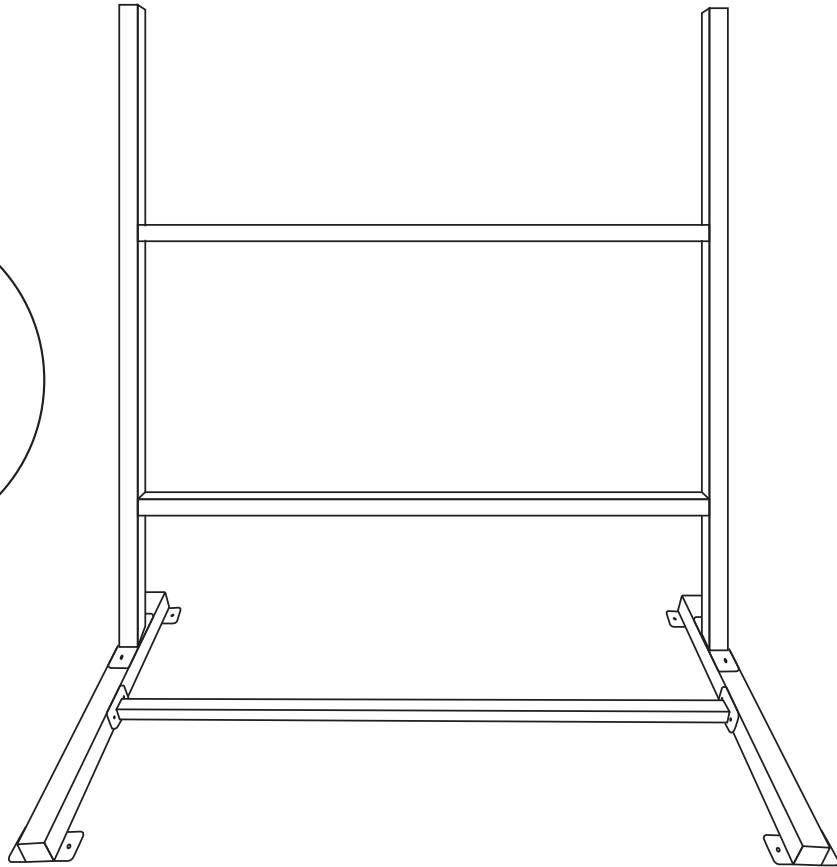
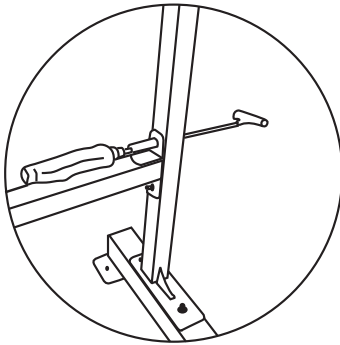
3 Attaching the Top Horizontal Crossmember

PARTS & HARDWARE

- » Parts D & E
- » Top Horizontal Crossmember
- » 1 & 2 Hardware Bag
- » Hardware Detail B

STEPS

- » Align Part D with the bottom holes on the vertical supports.
- » Using the hardware shown in Detail B, insert the bolts on both sides.
- » Hand-tighten the bolts to allow for adjustment, then fully tighten.
- » Repeat these steps for Part E, aligning it with the top holes on the vertical supports.



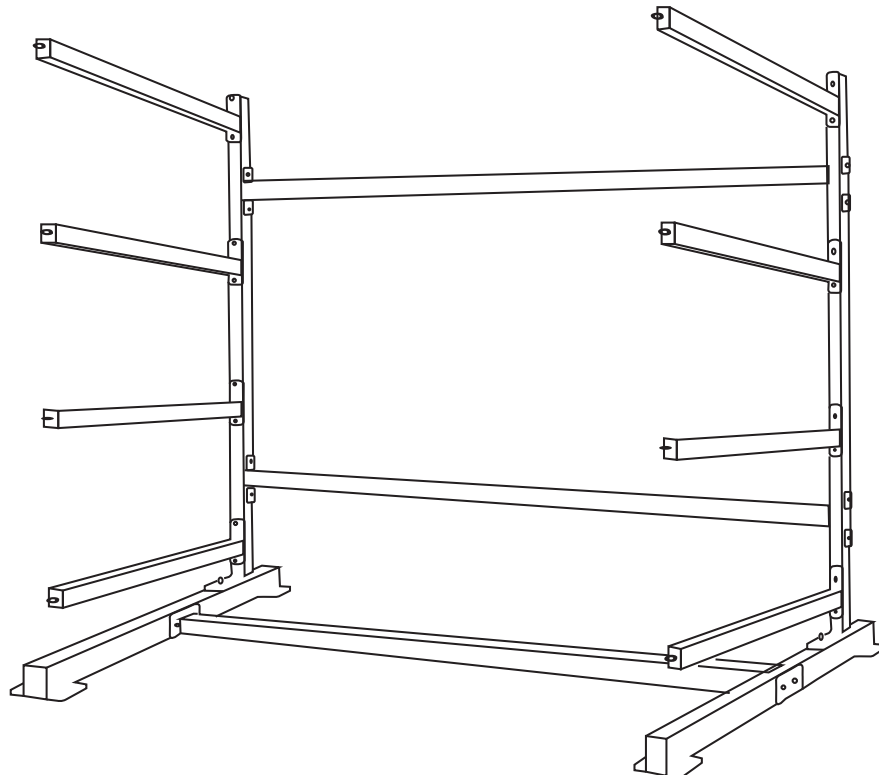
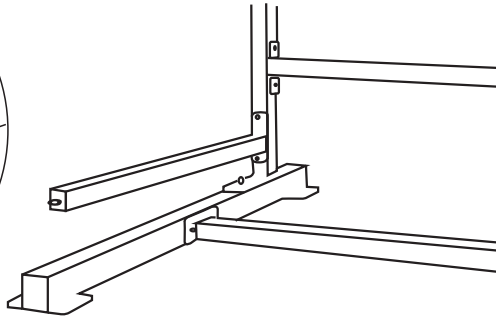
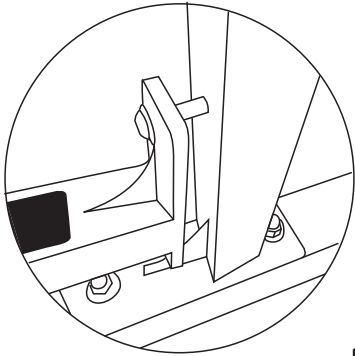
4 Attaching the Arm Rests

PARTS & HARDWARE

- » Part F
- » Arm Rest 1 & 2 Hardware Bag
- » Hardware Detail B

STEPS

- » Starting on one side at the bottom, align Part F with the holes on the vertical support.
- » Using the hardware shown in Detail B, insert the bolts.
- » Hand-tighten the bolts to allow for adjustment, then fully tighten.
- » Repeat these steps for each armrest, alternating sides of the vertical support until all are attached.



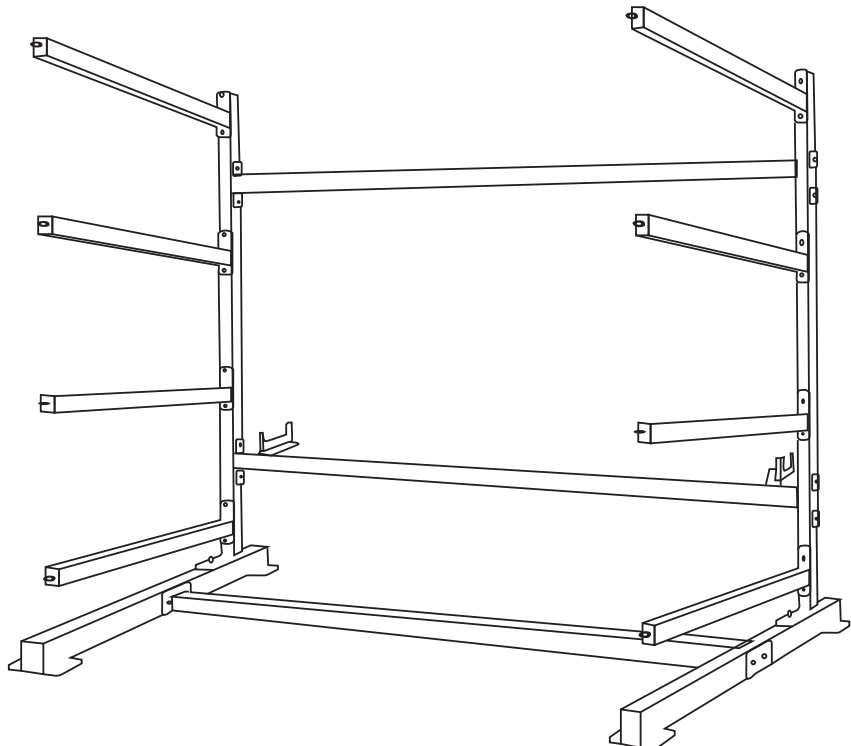
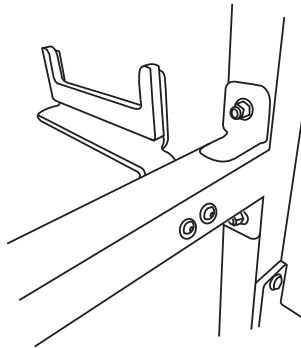
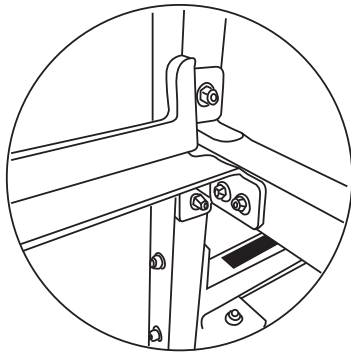
5 Attaching the Paddle Holder

PARTS & HARDWARE

- » Part G
- » Paddle Holder
- » Hardware Bag
- » Hardware Detail B

STEPS

- » On the backside, align Part G with the holes on the vertical support.
- » Using the hardware shown in Detail B, insert the bolts.
- » Hand-tighten the bolts to allow for adjustment, then fully tighten.
- » Repeat steps for side 2.



FINAL CHECK

Check that all hardware is securely fastened and the Paddler is stable before use

