

THE FISH SLAYER

3' Fish Cleaning Station

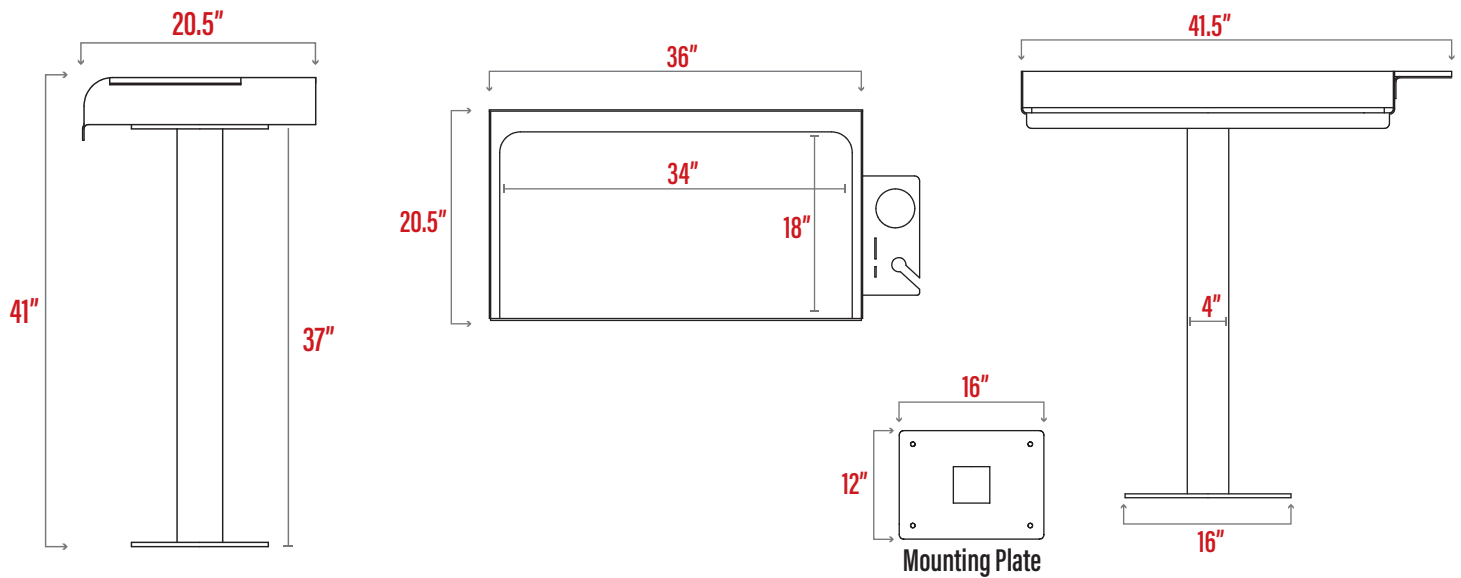
TECHNICAL SPECIFICATIONS

Overall Dimensions:	41.5" x 20.5" x 41"
Frame Material:	Powder-coated Marine-grade Aluminum
Hardware:	316L Stainless Steel
Tabletop Dimensions:	34" x 18"
Tabletop Material:	King Starboard
Weather-rated:	170 MPH Winds

INSTALLATION

16" x 12" Mounting Plate with Pre-cut Holes
Wood/Composite or Concrete Surface

Additional Support Needed on Some Docks



MANUFACTURER & WARRANTY

Brand Name:	SeaWard Marine
Customer Service:	Orders@SeaWardSystems.com
Fully Manufactured:	USA
Warranty:	Limited Lifetime



Orders@SeaWardSystems.com