

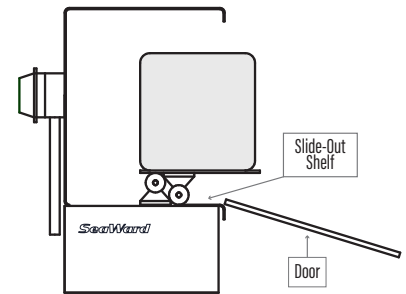
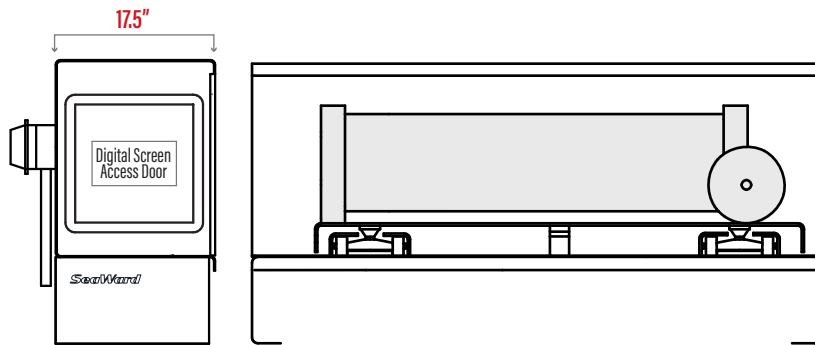
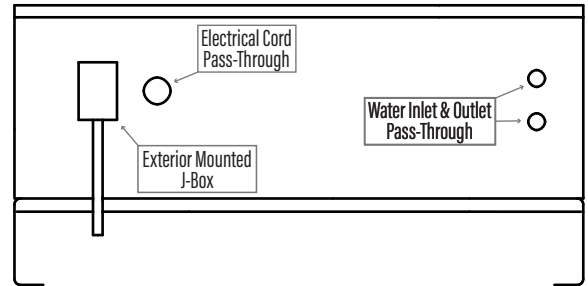
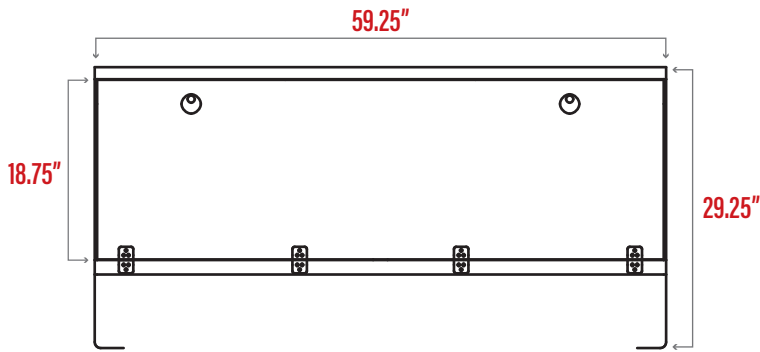
SEA WATER CABINET

Built for: **Spot Zero Mobile Pro**

TECHNICAL SPECIFICATIONS

Overall Dimensions: 59.25" x 17.5" x 29.25"
 Frame Build: Powder-coated Marine-grade Aluminum
 Hardware: 316L Stainless Steel Lockable Latches

Digital Screen: Access Door
 Connectivity: Water Inlet Duplex Outlet Slide-out Shelf
 Spot Zero Dimensions: 44" x 11.75" x 12"



MANUFACTURER & WARRANTY

Brand Name: SeaWard Marine
 Customer Service: Orders@SeaWardSystems.com
 Fully Manufactured: USA
 Warranty: Limited Lifetime



Orders@SeaWardSystems.com