

SEA POST

4x4 Sea Post

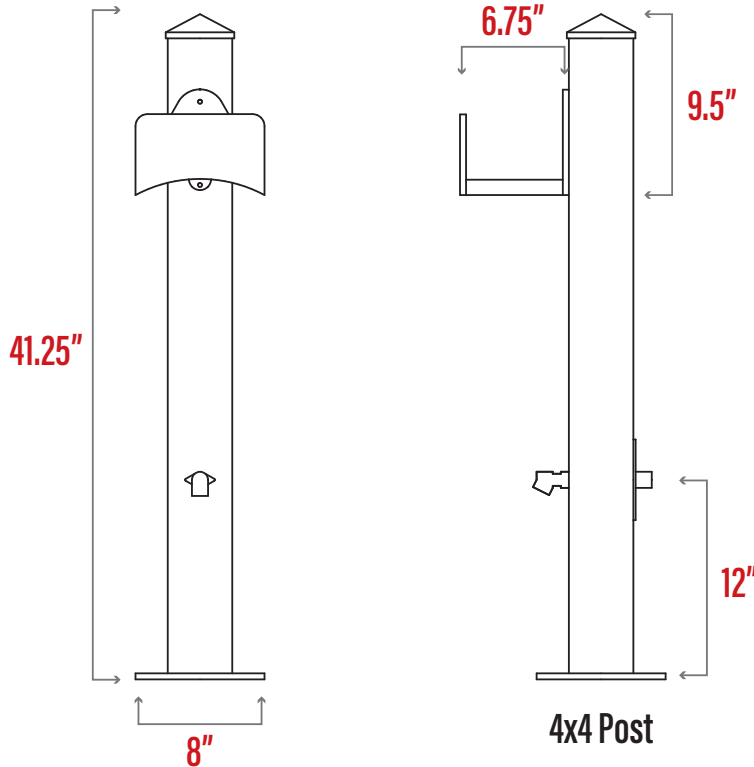
TECHNICAL SPECIFICATIONS

Overall Dimensions: 12.75" x 8" x 41.25"
Frame Material: Powder-coated
Marine-grade Aluminum
Construction: Fully Welded
Water Connection: Inlet & Spigot

MOUNTING DETAILS

Square Base with Pre-cut Holes
Suggested Hardware is *316L Stainless Steel

*Place nylon washers between the hardware and product to protect the powder coat finish.



MANUFACTURER & WARRANTY

Brand Name: SeaWard Marine
Customer Service: Orders@SeaWardSystems.com
Fully Manufactured: USA
Warranty: Limited Lifetime

