

BOAT TABLE MEASUREMENT REQUIREMENTS:

Measurement A:

Distance from the **deck of the boat** to the **top of the rod holder**, where the boat table will be mounted.

Measurement B:

Distance from the **top of the rod holder** to the **gimbal at the bottom** of the rod holder.

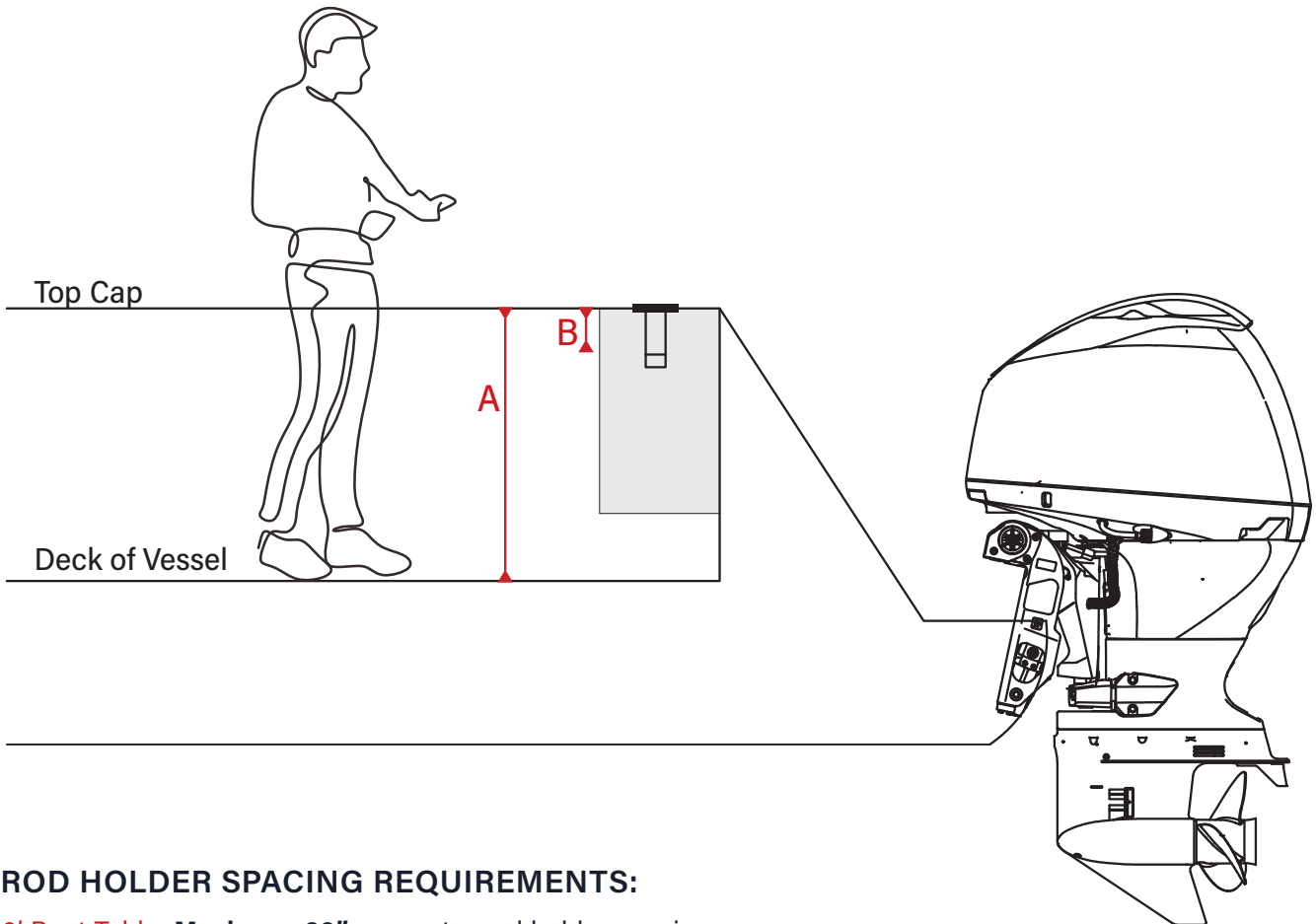
BOAT MAKE & MODEL

MEASUREMENT LOG

A _____

B _____

Rod Holder Angle 0° 15°
Check One



ROD HOLDER SPACING REQUIREMENTS:

3' Boat Table: **Maximum 32"** on-center rod holder spacing.

4' Boat Table: **Maximum 44"** on-center rod holder spacing.

5' Boat Table: **Maximum 56"** on-center rod holder spacing.

