

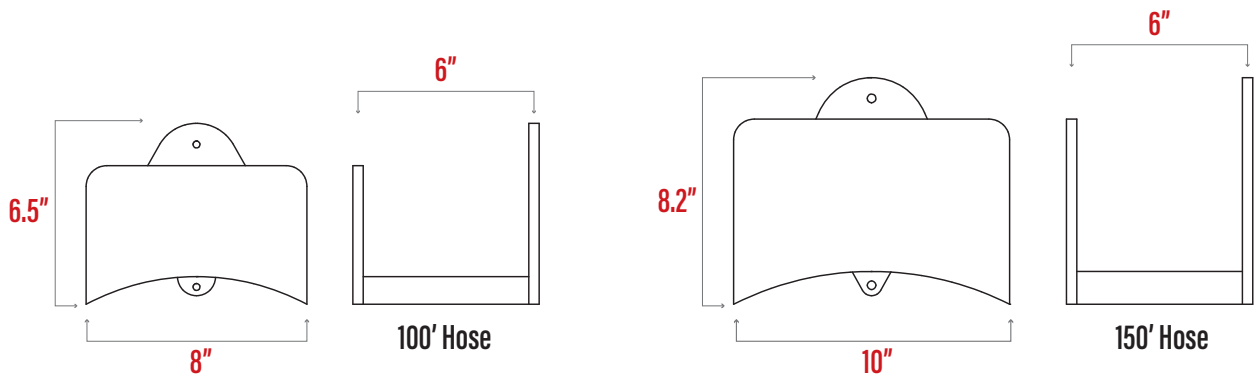
HOSE HOLDER

100' & 150' Hose Holders

TECHNICAL SPECIFICATIONS

| | |
|----------------------|--|
| 100' Hose Holder: | 8" x 6" x 6.5" |
| 150' Hose Holder: | 10" x 6" x 8.2" |
| Frame Material: | Powder-coated Marine-grade Aluminum |
| Construction: | Fully Welded |
| Mounting: | Pre-cut Holes |
| Hardware Suggestion: | *316L Stainless Steel |

*Place nylon washers between the hardware and product to protect the powder coat finish.



MANUFACTURER & WARRANTY

| | |
|---------------------|---------------------------|
| Brand Name: | SeaWard Marine |
| Customer Service: | Orders@SeaWardSystems.com |
| Fully Manufactured: | USA |
| Warranty: | Limited Lifetime |

