

**BUILD FEATURES**

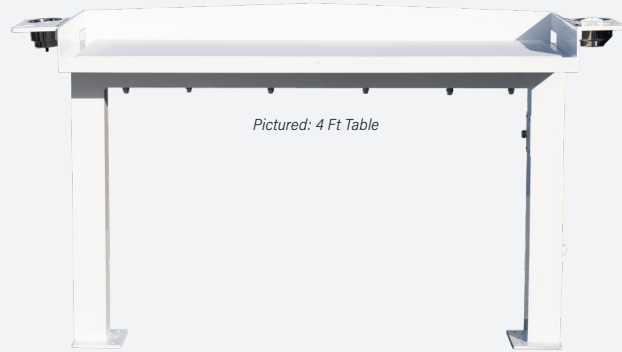
- » Powder Coated, Tubular Marine Grade Aluminum with 316L S/S Hardware
- » Personalized Logo/Boat Name
- » Water Connection System
- » King StarBoard Cutting Surface
- » Accessory Tray: S/S Cup Holder, Knife Sharpener, Wash Down Hose & Spray Nozzle

**CUSTOM UPGRADES**

- » Umbrella Holder
- » Duplex 120V, Power Outlet
- » Multifunctional Shelves & Cabinets
- » Convenience Sink

**DOCK MOUNT**

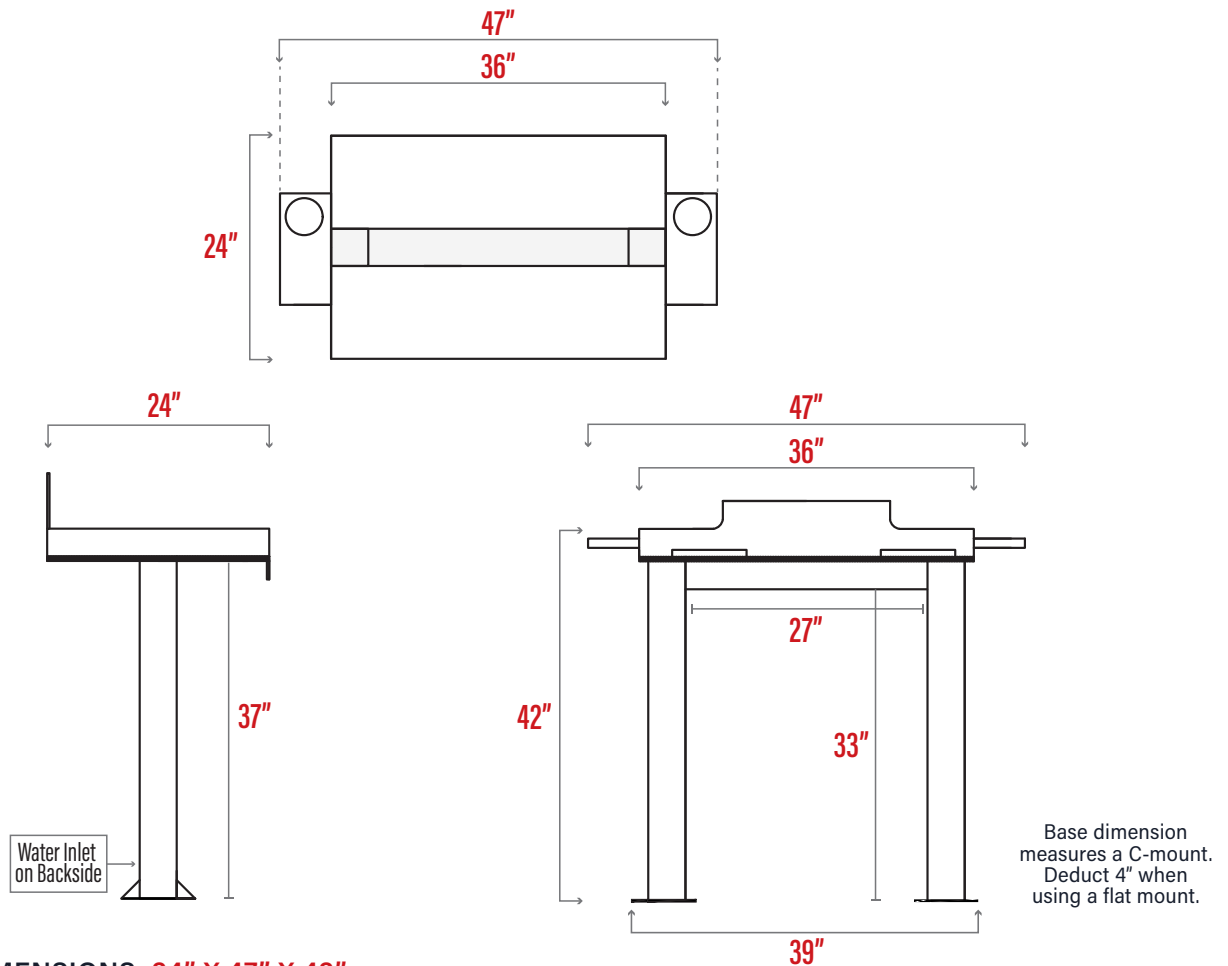
- » Concrete or Wood | Composite Decking with a Flat or C-Mount. Cantilever Available.
- » Additional Support Needed on Some Docks.



**3' STATION  
MUST HAVE AT  
LEAST 39" OF  
DECK SPACE  
TO INSTALL**

**INSTALLATION DETAILS**

- » Concrete Sea Wall: 3/8" S/S Red Head Type Sleeve Anchors with Nylon Washer, Lock Washer & S/S Acorn Nut
- » Wood | Composite Deck: Lag Bolted & Secured to Deck Cross Member with Marine Grade Aluminum Angle & S/S Hardware



**OVERALL DIMENSIONS: 24" X 47" X 42"**

