

BUILD FEATURES

- » Powder Coated, Tubular Marine Grade Aluminum with 316L S/S Hardware
- » Personalized Logo/Boat Name
- » Water Connection System
- » King StarBoard Cutting Surface
- » Accessory Tray: S/S Cup Holder, Knife Sharpener, Wash Down Hose & Spray Nozzle
- » Durable Protective Shadecloth Awning

CUSTOM UPGRADES

- » LED Light + Switch/Outlet Combo
- » Duplex 120V Power Outlet
- » Multifunctional Shelves & Cabinets
- » Convenience Sink
- » Fish Hanger
- » Weatherproof Fan



Pictured: 7 Ft Table + Awning

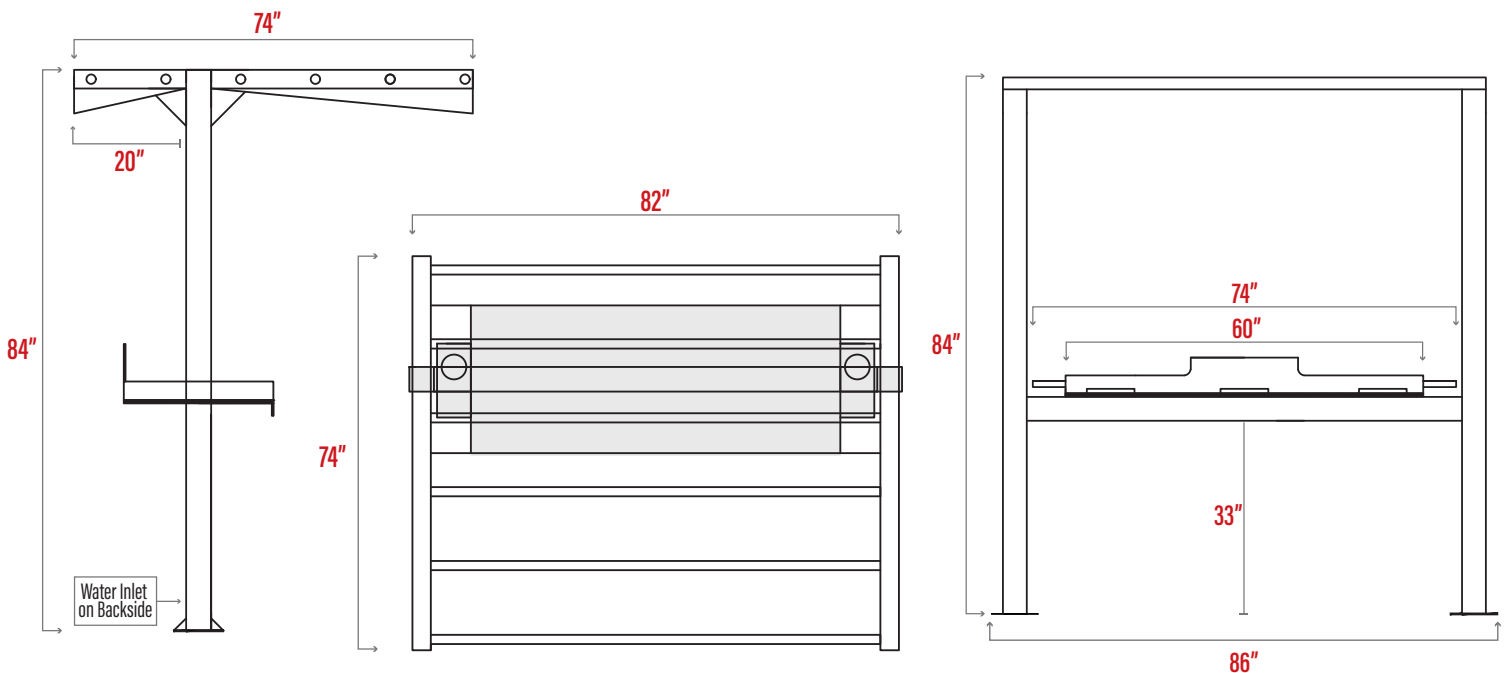
5' STATION MUST HAVE AT LEAST 86" OF DECK SPACE TO INSTALL

DOCK MOUNT

- » Concrete or Wood | Composite Decking with a Flat or C-Mount. Cantilever Available.
- » Additional Support Needed on Some Docks.

INSTALLATION DETAILS

- » Concrete Sea Wall: 3/8" S/S Red Head Type Sleeve Anchors with Nylon Washer, Lock Washer & S/S Acorn Nut
- » Wood | Composite Deck: Lag Bolted & Secured to Deck Cross Member with Marine Grade Aluminum Angle & S/S Hardware



OVERALL DIMENSIONS: 74" X 86" X 84"

Base dimension measures a C-mount. Deduct 4" when using a flat mount.

