

THE EDGE

6' Fish Cleaning Station

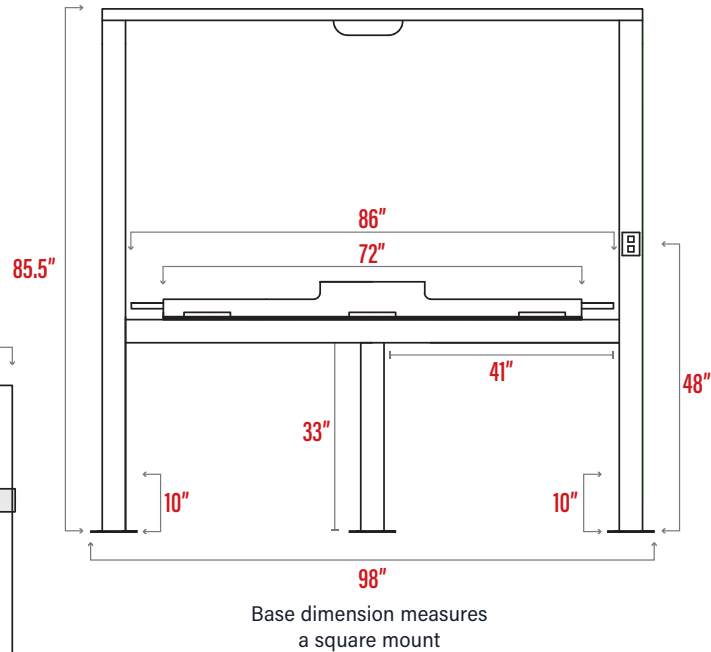
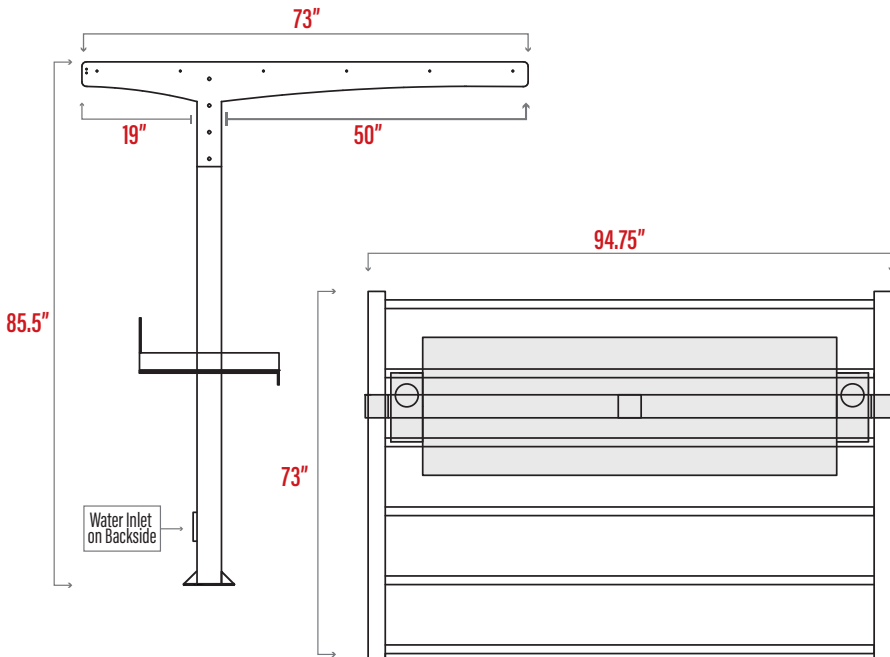
TECHNICAL SPECIFICATIONS

Overall Dimensions:	98" x 73" x 85.5"
Frame Material:	Powder-coated Marine-grade Aluminum
Hardware:	316L Stainless Steel
Tabletop Dimensions:	67.5" x 21.75"
Tabletop Material:	King Starboard
Water System:	Concealed Connection
Electric System:	LED Light + Outlet
Awning Fabric:	Marine-grade Canvas
Weather-rated:	170 MPH Winds

INSTALLATION SPACE

98" for a Square, L Bracket, Cantilever Mount
94" for a C-Mount

Additional Support Needed on Some Docks



MANUFACTURER & WARRANTY

Brand Name:	SeaWard Marine
Customer Service:	Orders@SeaWardSystems.com
Fully Manufactured:	USA
Warranty:	Limited Lifetime



Orders@SeaWardSystems.com

SeaWard Systems reserves the right to revise information without notice.
For the most up-to-date details, visit www.SeaWardSystems.com.