



### USEFUL TIPS

Before you begin, review the step-by-step assembly guide. For safety and accuracy, it is helpful to assemble the product with 3 people.

Carefully un-box the product. To prevent scratching, avoid using sharp blades when removing plastic wrapping. Lay a blanket or soft cloth on your work area to prevent damage during assembly.

Do not to over-tighten bolts. Always check for proper alignment before fully tightening bolts. Be sure to securely fasten hardware before moving onto the next step.

### TOOLS

- » Drill & Drill Bits
- » Wrench Set
- » Socket Set
- » Screwdriver Set
- » Phillips-head Bit Driver
- » Level
- » Safety Glasses



### VIDEO HELP

Scan the QR Code to watch a video of the assembly process.

### SAFETY FIRST

Always wear task appropriate protective gear such as OSHA-approved glasses, gloves, work boots, etc. Make sure you have all supplemental materials, including hardware and parts prior to beginning. Always follow instructions.

Remember: Improper use of tools or hardware may result in damage to the product or personal injury.

### QUESTIONS? CONTACT US.

[Orders@SeaWardSystems.com](mailto:Orders@SeaWardSystems.com)

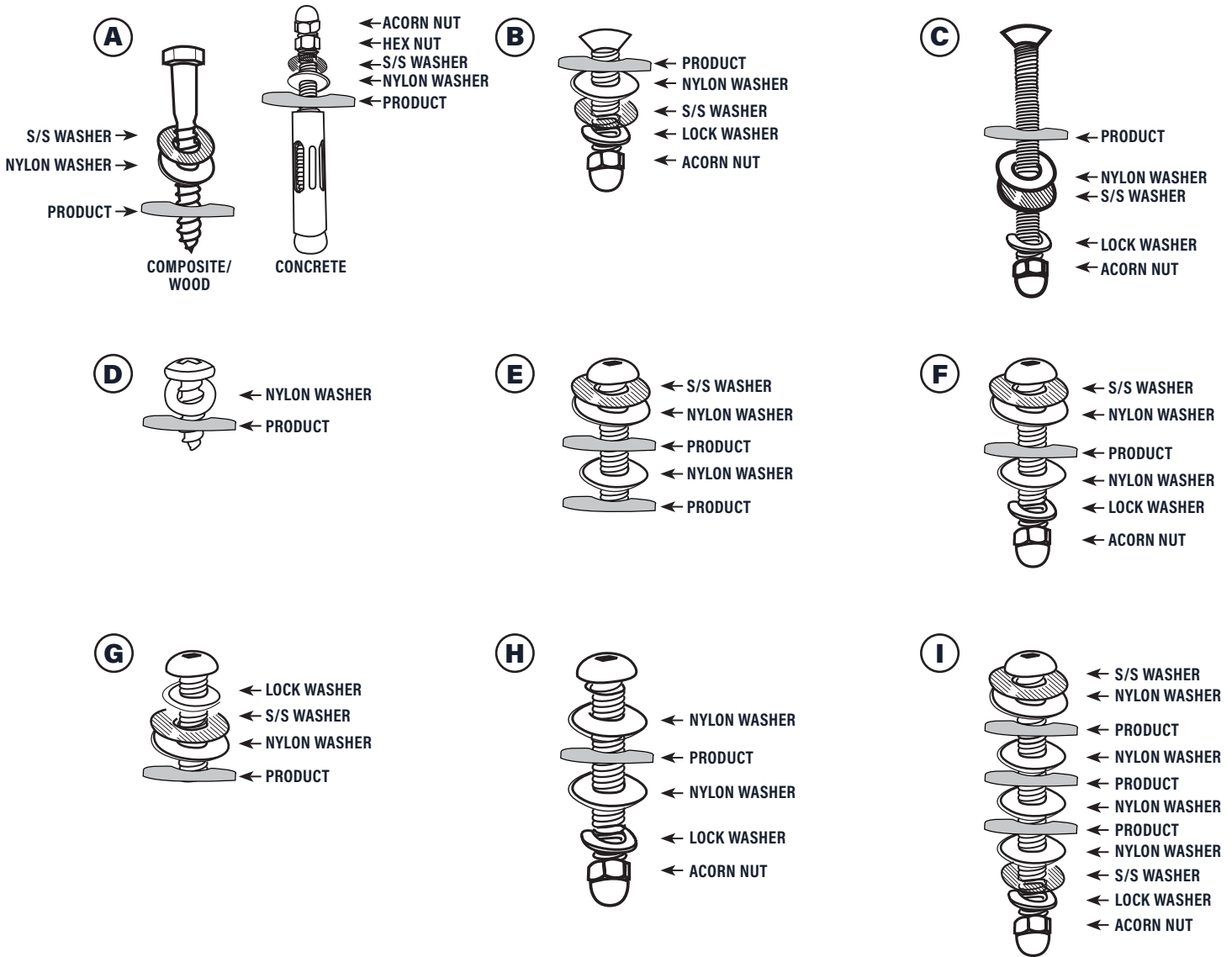




**HARDWARE  
DETAIL**

To help prevent damage to powder coating all hardware **MUST** be installed following the order in our assembly guide.

**VERY IMPORTANT: A nylon washer *MUST* always be placed between the powder coat and metal hardware.**



**LUBRICANT USE**

For all bolts, apply a small amount of Anticorrosive Lubricant to the end and the threads.

Exception: For the side plate canopy bolts, apply a small amount of Red Loctite to the end of each bolt.



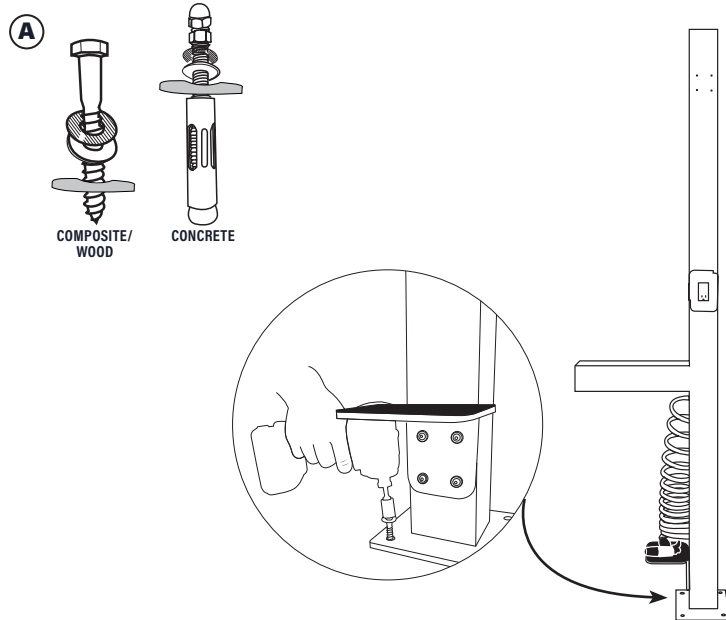
## 1 Mounting the Frame

### HARDWARE

- » Mounting Feet Hardware Bag
- » Hardware Detail A

### STEPS

- » Position one side of the frame on the mounting surface. If necessary, make sure the mounting surface is reinforced.
- » Drill pilot holes for the lag bolts or anchors.
- » Follow hardware detail A.
- » Insert bolts through the mounting foot and into the mounting surface.
- » Hand-tighten bolts to allow for adjustments.



## 2 Attaching the Middle Support

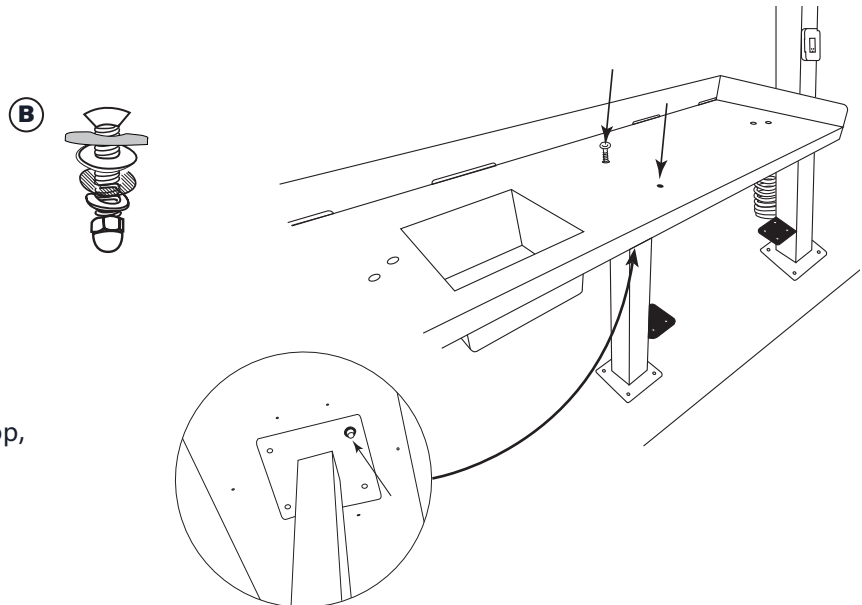
### ONLY FOR 6' & UP STATIONS

### HARDWARE

- » Tabletop Hardware Bag
- » Hardware Detail B

### STEPS

- » With another person, align middle support to the tabletop.
- » Follow hardware detail B.
- » Insert bolts through the tabletop, into the middle support, then hand-tighten from underneath.



**3 Attaching the Tabletop & 2nd Frame**

**FOR ALL STATIONS**

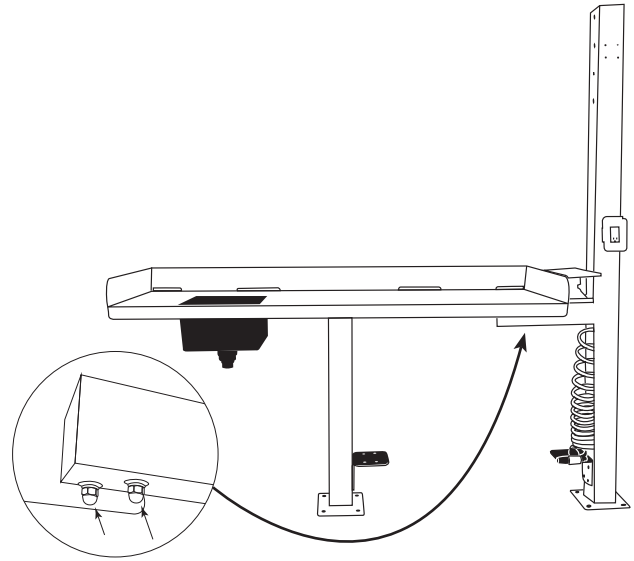
**HARDWARE**

- » Tabletop Mounting Hardware Bag
- » Hardware Detail C

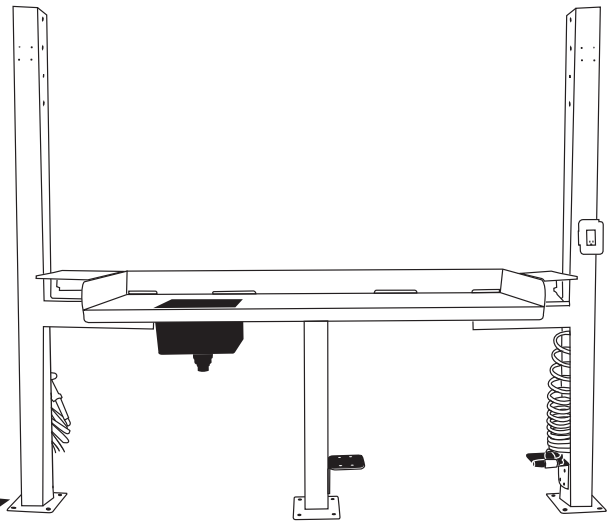
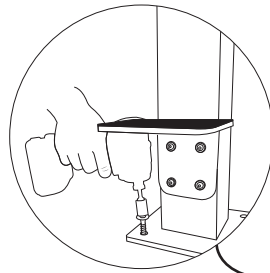
**STEPS**

- » Set the tabletop on the mounted frame, with another person holding the opposite side.
- » Follow hardware detail C.
- » Insert bolts through the tabletop to connect to the mounted frame, then hand-tighten from underneath.
- » Position the second frame.
- » Insert bolts through the tabletop to connect to the second frame, then hand-tighten from underneath.

**C**



- » Follow Step 1 to secure second frame to the mounting surface.
- » Once everything is aligned, fully tighten all bolts.



## 4 Attaching the StarBoard

### HARDWARE

- » Tabletop StarBoard Bag
- » Hardware Detail D

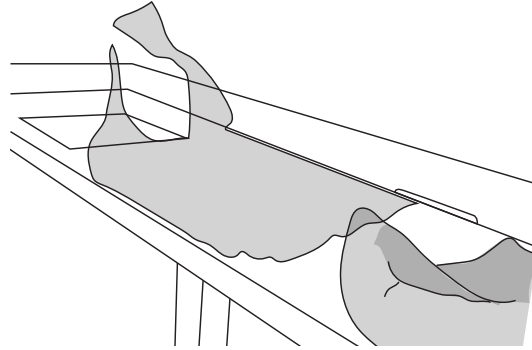


### STEPS

- » Position the curved edges of the StarBoard to the back of the station. Align it to the front lip of the tabletop.
- » Follow hardware detail D.
- » Holding the surface in place, insert screws from underneath.
- » Fully tighten.
- » Remove protective covering.

### IMPORTANT:

Mini cabinets must be installed prior to the StarBoard. Step-by-step guide is listed in Upgrades.

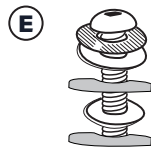


## 5 Assembling the Canopy

### SUPPORT TUBES

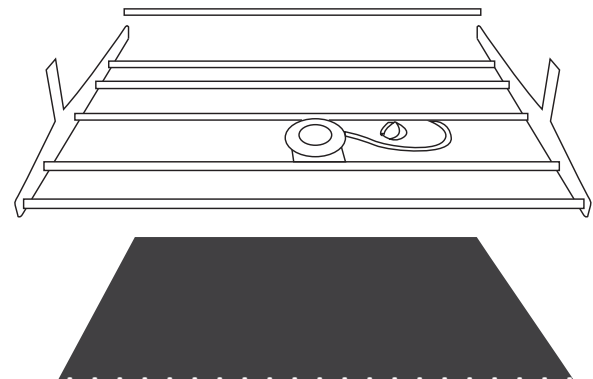
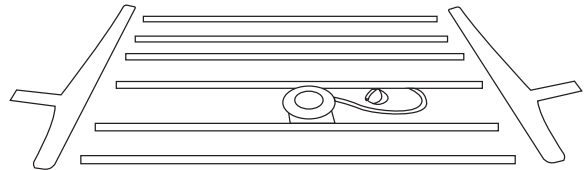
### HARDWARE

- » Canopy Assembly Side 1 & 2 Bags
- » Hardware Detail E



### STEPS

- » Lay out support tubes and side plates
- » Follow hardware detail E.
- » Except for the front tube, begin attaching support tubes, one side at a time. Fully tighten.



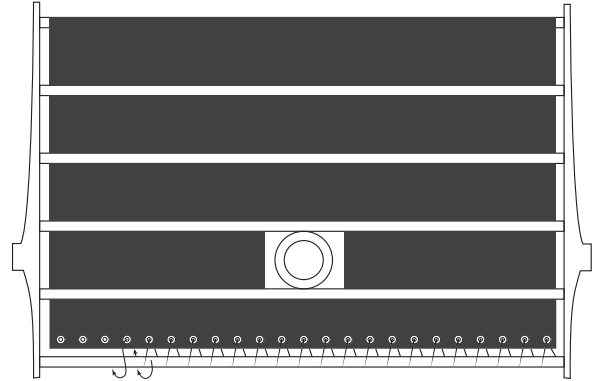
**CANOPY FABRIC**

**HARDWARE**

- » Canopy Fabric Assembly Bag
- » Canopy String Assembly Bag
- » Canopy Fabric

**STEPS**

- » Place the Canopy Fabric under the canopy, stitching facing down.
- » Slide the front tube through the fabric pocket, then attach the tube.
- » Secure the canopy string in the side plate holes and loop it around the tube.
- » Continuously thread it through the eyelets and loop it around the tube, tightening as you go.
- » Secure the end of the string to the opposite side plate.

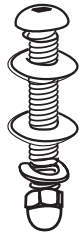


**6 Mounting the Canopy**

**HARDWARE**

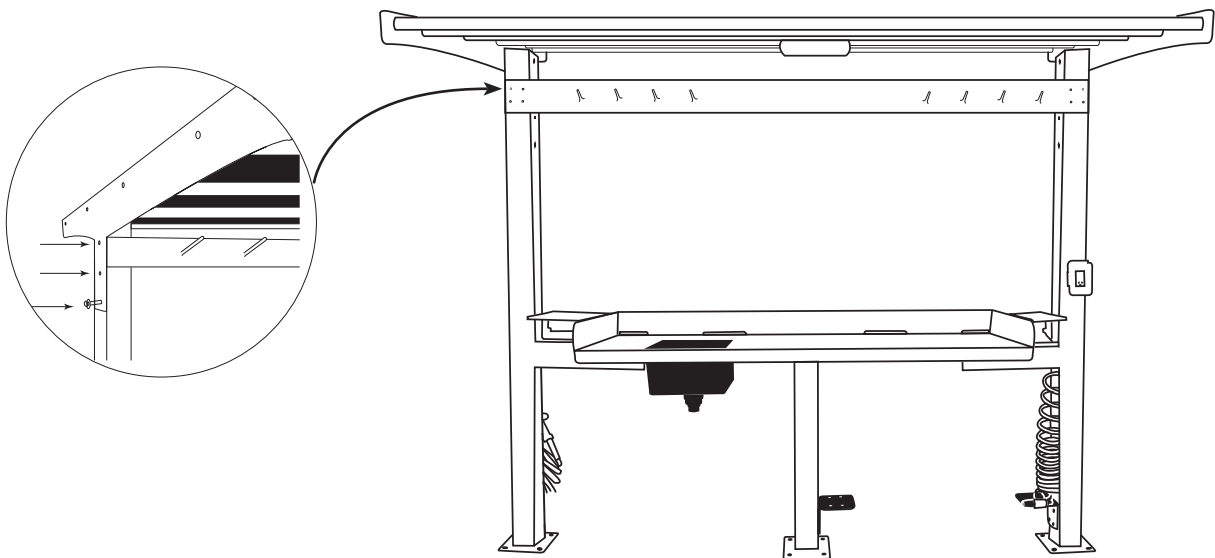
- » Canopy Assembly Side 1 & 2 Bags
- » Hardware Detail H

**H**



**STEPS**

- » With 3 people, flip the assembled canopy.
- » Align the side plate slots to the slots on both frames.
- » Follow hardware detail H.
- » From the outside in, insert all bolts in the canopy frame.
- » Fully tighten.



## **7** Adding the Upgrades

### **STORAGE CABINET**

#### **HARDWARE**

- » Cabinet Mounting Hardware Bag
- » Hardware Detail F

#### **STEPS**

- » With another person, position the Cabinet on the L brackets, aligning the slots on the cabinet with the slots on the L bracket.
- » Follow hardware detail F.
- » Insert bolts from the inside of the cabinet through the L bracket.
- » Hand-tighten bolts to allow for adjustments.
- » Once aligned, securely tighten in a cross-hatch pattern.

### **FISH HANGER**

#### **HARDWARE**

- » Fish Hanger Mounting Hardware Bag
- » Hardware Detail G

#### **STEPS**

- » With another person, align the slots on the Fish Hanger with the slots on the frames.
- » Follow hardware detail G.
- » Insert bolts through the Fish Hanger into the frames and hand-tighten on both sides.
- » Once bolts are in place, fully tighten.

### **MINI CABINET**

#### **HARDWARE**

- » Mini Cabinet Mounting Hardware Bag
- » Hardware Detail C

#### **STEPS**

- » With another person, align the slots on the Mini Cabinet with the slots on the tabletop.
- » Follow hardware detail C.
- » Insert bolts from the tabletop through the inside of the cabinet.
- » Hand-tighten bolts to allow for adjustments.
- » Once aligned, securely tighten in a cross-hatch pattern.

*Mini cabinets must be installed prior to the StarBoard.*

### **SINK**

#### **FULLY ASSEMBLED**

- » The sink is mounted during production.

