

THE CHASE

4' Fish Cleaning Station

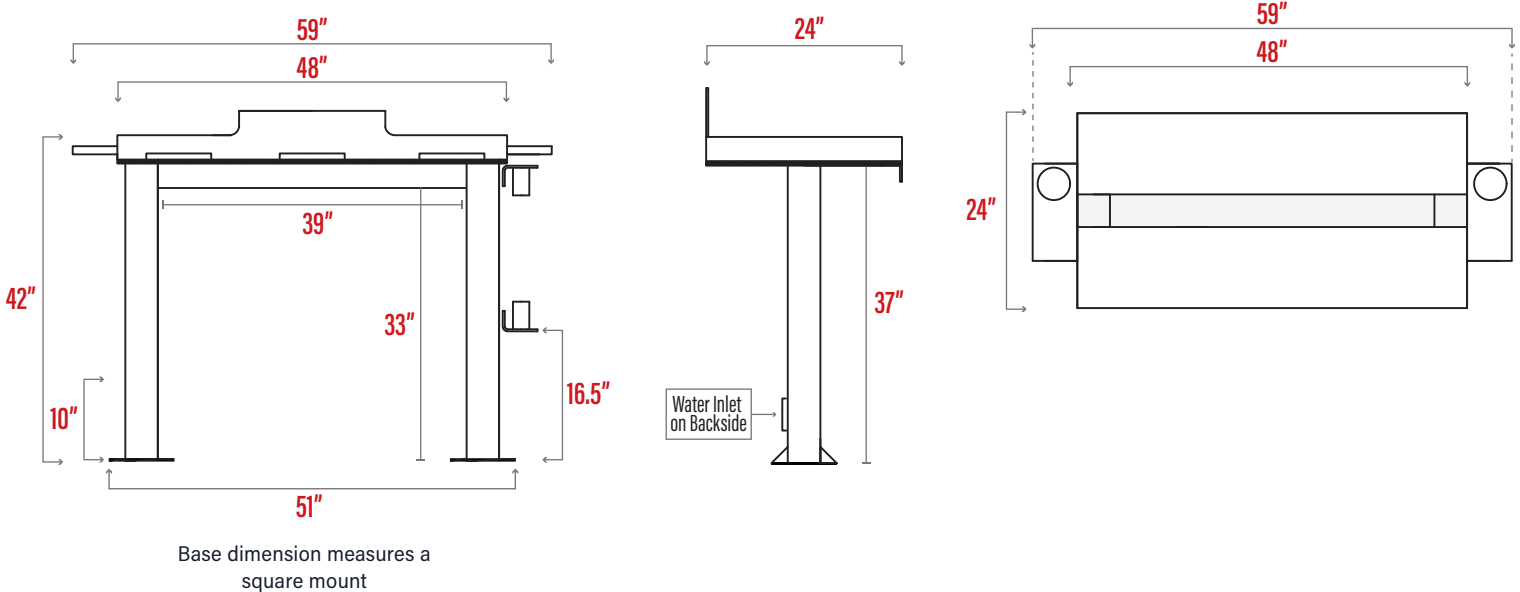
TECHNICAL SPECIFICATIONS

Overall Dimensions:	59" x 24" x 42"
Frame Material:	Powder-coated Marine-grade Aluminum
Hardware:	316L Stainless Steel
Tabletop Dimensions:	45" x 21.75"
Tabletop Material:	King Starboard
Water System:	Concealed Connection
Weather-rated:	170 MPH Winds

INSTALLATION SPACE

51" for a Square, L Bracket, Cantilever Mount
47" for a C-Mount

Additional Support Needed on Some Docks



MANUFACTURER & WARRANTY

Brand Name:	SeaWard Marine
Customer Service:	Orders@SeaWardSystems.com
Fully Manufactured:	USA
Warranty:	Limited Lifetime



Orders@SeaWardSystems.com