

Dock Installation
WOOD / COMPOSITE DECK

PARTS

- » H-Frame
- » Canopy
- » Canopy Hardware
- » Mounting Hardware

CANOPY HARDWARE

- » 5" Flat Head Bolts
- » Plastic Flat Washers
- » S/S Flat Washers
- » S/S Lock Washers
- » S/S Acorn Nuts

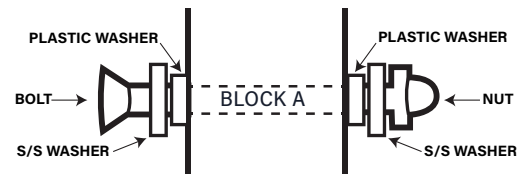
MOUNTING HARDWARE

- » 3/8" S/S Lag Bolt - 3" Long
- » Plastic Flat Washers
- » S/S Flat Washers
- » S/S Lock Washers



**HARDWARE
 DETAIL**

To help prevent damage to powder coating such as chipping, scratching, oxidizing, etc., all hardware **MUST** be installed following the order in our installation guide.



IMPORTANT

Safety is the #1 goal. Always wear task appropriate protective gear such as OSHA-approved glasses, gloves, work boots, etc. Make sure you have all supplemental materials and included hardware and parts prior to beginning the installation process.

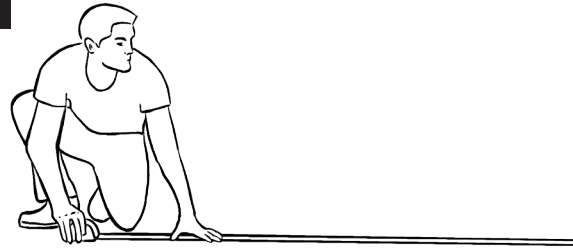
Seawall Installation:

WOOD / COMPOSITE DECK

Before you get started, remember to:

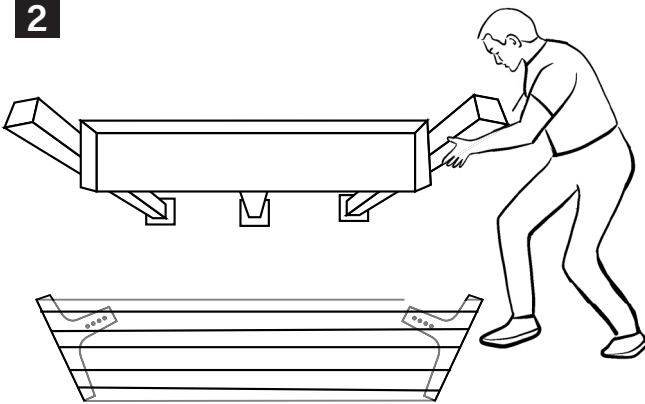
- » Measure to confirm the table fits in the space
- » Gather the tools, hardware and parts for installation
- » Find a friend to lend a hand

1



With a friend, lay face down the H-Frame and Canopy near install site. To avoid scratches, lay parts on a blanket or a piece of cardboard

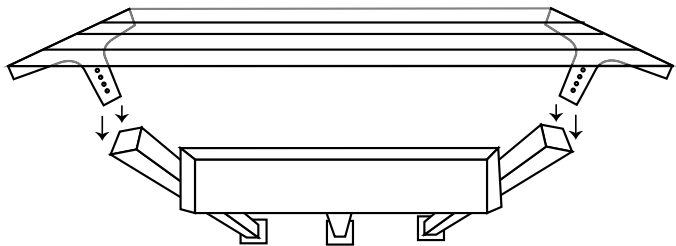
2



Using the H-Frame & Canopy:

- » Confirm both pieces are aligned and facing the same direction
- » Lift the top half of the H-Frame, leaving the bottom half on the ground

3

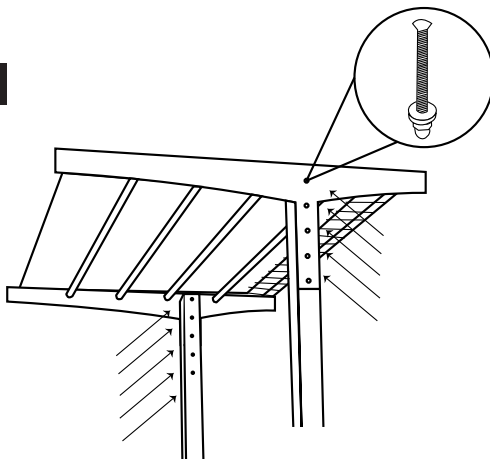


- » Align the top holes of the H-Frame to the top holes on the Canopy
- » Push bolts through the Canopy and H-Frame
- » Secure with nut hand tight



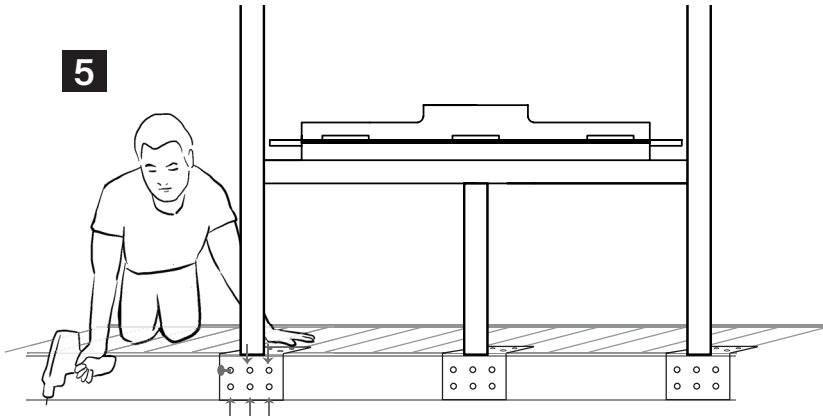
Reference Block A

4



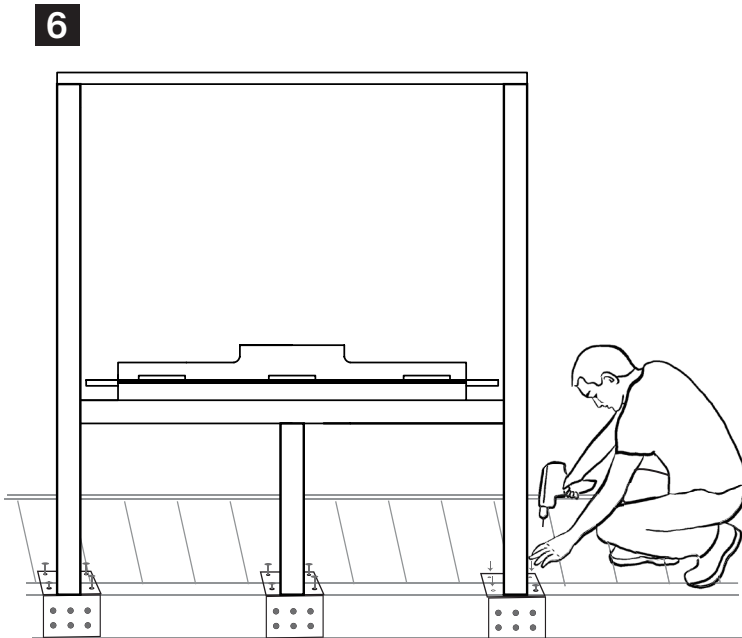
Use a wrench and allen key to tighten all bolts. Once bolts are tight, lift and move the frame to exact install position





Securing the Side Dock Mount:

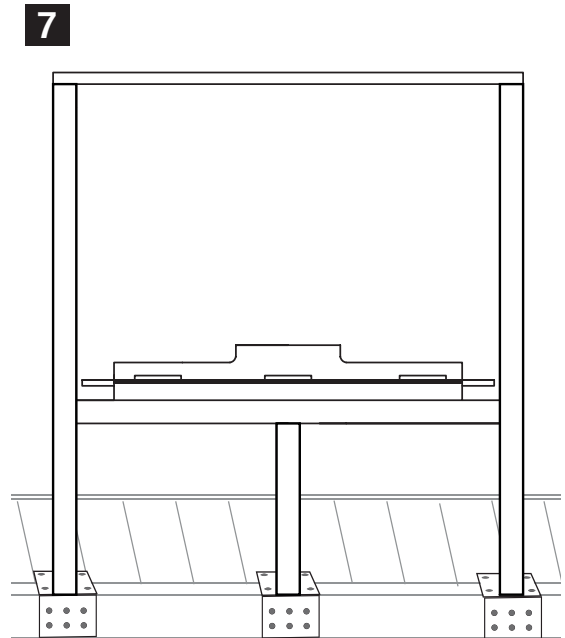
- » Secure the L bracket flush to the dock
- » Drill first pilot hole through side mount
- » Drive down Lag Bolt halfway with Impact Drill
- » Continue until all side mount holes and bolts are completed



Securing the Top Dock Mount:

- » Drill first pilot hole through top mount
- » Drive down Lag Bolt halfway with Impact Drill
- » Continue until all top mount holes and bolts are completed

*Use washers for all hardware



Tighten all side mount and top mount bolts using a drill.



WARNING. Make sure Lag Bolts are secured into dock structure member. Failure to do so may result in personal injury or death.

**HAVE
QUESTIONS?**

Contact our installation team at:
Orders@SeaWardSystems.com or **954-571-2339 x102**



SeaWardSystems.com
954-295-9023