

Seawall Installation
CONCRETE SEAWALL

PARTS

- » Fish Cleaning Station
- » Mounting Hardware

MOUNTING HARDWARE

- » 3/8" Sleeve Anchor
- » Plastic Washers
- » S/S Flat Washers
- » S/S Lock Washers
- » Acorn Nuts

HARDWARE DETAIL

To help prevent damage to powder coating such as chipping, scratching, oxidizing, etc., all hardware **MUST** be installed following the order in our installation guide

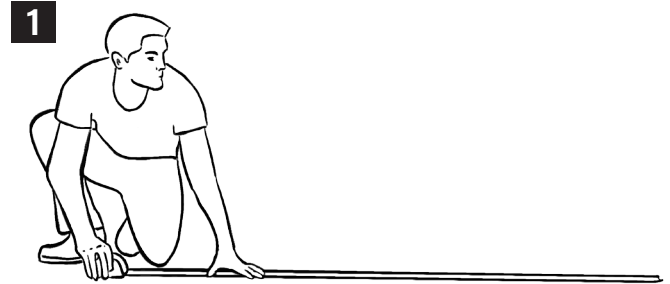
IMPORTANT

Safety is the #1 goal. Always wear task appropriate protective gear such as OSHA-approved glasses, gloves, work boots, etc. Make sure you have all supplemental materials and included hardware and parts prior to beginning the installation process.

Seawall Installation:
CONCRETE SEAWALL

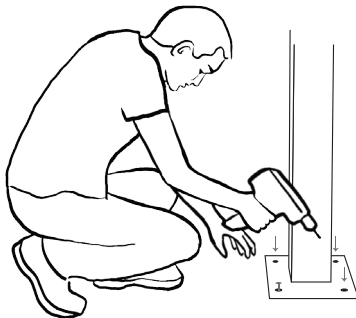
Before you get started, remember to:

- » Measure to confirm the table fits in the space
- » Gather the tools, hardware and parts for installation
- » Find a friend to lend a hand



With a friend, position the table base in the allotted space for seawall installation.

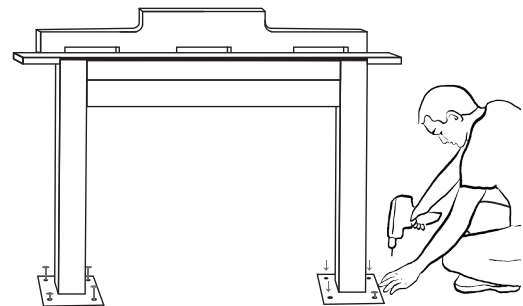
2



First Table Leg:

- » Secure the mounting bracket flush to seawall
- » Drive first pilot hole into concrete with Hammer Drill
- » Drop in anchor and secure nut hand tight

3

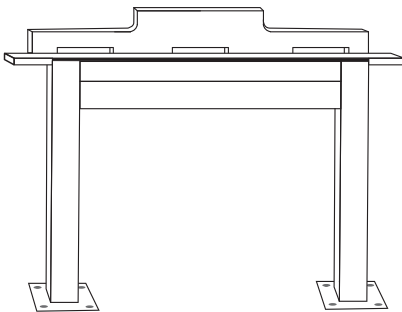


Second Table Leg:

- » Follow sequence of the first table leg
- » Alternating holes, drop all anchors and secure nuts hand tight

***Use washers for all hardware**

4



Repeat process until all fasteners are in place. Tighten down nuts using a wrench.

HAVE QUESTIONS?

Contact our installation team at:

- » Orders@SeaWardSystems.com
- » **954-571-2339 x102**

